

CoolLED

LED DRIVERS

CL Switchable

Up to 33W

350/500mA, 350/700mA, 500/700mA, 450/900mA, 500mA/1000mA & 1200/1400mA

CoolLED drivers provide a high performance solution for powering high-brightness LEDs from a mains supply.

CoolLED Switchable Drivers feature a switch, accessible during installation, to select between two current values.

The power factor corrected, class II driver has fully isolated, SELV output delivering up to 33W of power.

All CoolLED Drivers have a high efficiency design, which ensures cool operation and long life. The compact enclosure is available in Flying Leads (A), Integral (B) and Remote Mount (C) versions. Remote types feature screwless cable clamps.

CoolLED Drivers are open and short-circuit protected and have self resetting over temperature trip.

These drivers include a "soft dim" feature to avoid sudden steps in LED brightness.



Product Description

- 220-240 Input voltage
- Power factor corrected (0.98)
- Constant current output
- Self resetting thermal trip
- Double insulated (Class II)
- Screwless cable clamps for fast assembly (C-Style)
- Up to 88% efficiency
- Surge protection up to 4kV
- SELV isolation to 3kV
- Integral and remote versions

Wiring diagram



Technical Specification

Mains input voltage	220 to 240V ac RMS Nominal
DC input voltage	190 - 265V DC
Mains frequency	0/50/60Hz
Mains surge protection	4kV common-mode 2kV differential
Input-output isolation	3kV ac rms
Mains inrush current	45A peak decaying over 20us
Humidity	95% max non-condensing
Thermal trip	110°C - internal self-resetting
Ambient temperature range	-25°C to 50°C
Maximum Tc temperature	80°C
Terminal blocks	Rising clamp 10mm input pitch, 5mm output pitch
Enclosure	White polycarbonate UL94-V0 rated

Case Style	Dimensions	Weight	Box Quantity
A - Flying Leads	151mm x 32.5mm x 32mm	132g	50
B - Integral	150mm x 32mm x 32mm	115g	50
C - Cable clamps	180mm x 32mm x 32mm	130g	50

Tolerance: + or - 0.3mm

Variants

Part number	Current	LED String Voltage	Output power range	Power factor @ full load	Efficiency @ full load
CL500S-240-B/C	350mA & 500mA (±5%)	9V to 48V	350mA = 3.15 - 17W 500mA = 4.5 - 24W	>95 (0.98 typical)	87% typical
CL700S-240-B/C	350mA & 700mA (±5%)	9V to 48V	350mA = 3.15 - 17W 700mA = 6.3 - 33W	>95 (0.98 typical)	88% typical
CL700S2-240-B/C	500mA & 700mA (±5%)	9V to 48V	500mA = 4.5 - 24W 700mA = 6.3 - 33W	>95 (0.98 typical)	88% typical
CL900S-240-B/C	450mA & 900mA (±5%)	9V to 33V (37V @ 450mA)	450mA = 4 - 17W 900mA = 8 - 30W	>95 (0.98 typical)	86% typical
CL1000S-240-A/B/C	500mA & 1000mA (±5%)	9V to 33V (48V @ 500mA)	500mA = 4.5 - 24W 1000mA = 9 - 33W	>95 (0.98 typical)	86% typical
CL1400S-240-A/B/C	1200mA & 1400mA (±5%)	20V to 22V (22V @ 1200mA)	1200mA = 10.8 - 26W 1400mA = 12.6 - 28W	>95 (0.98 typical)	84% typical

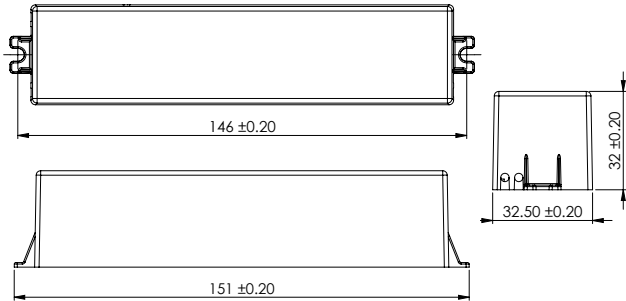
Compliance

Approval	Standards
ENEC	EN 61347-2-13, EN 61000-3-2, EN 61000-3-3, EN 61547:2009, EN 55015:2013 & EN62384

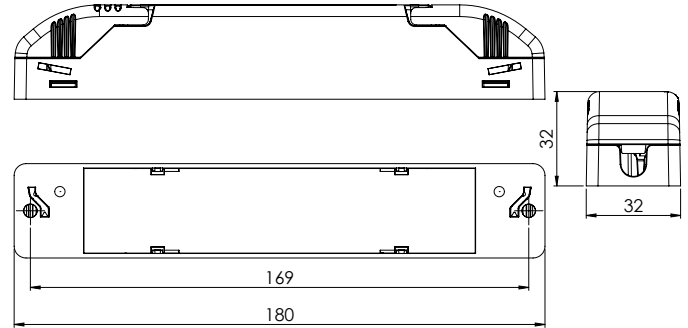


Dimensions

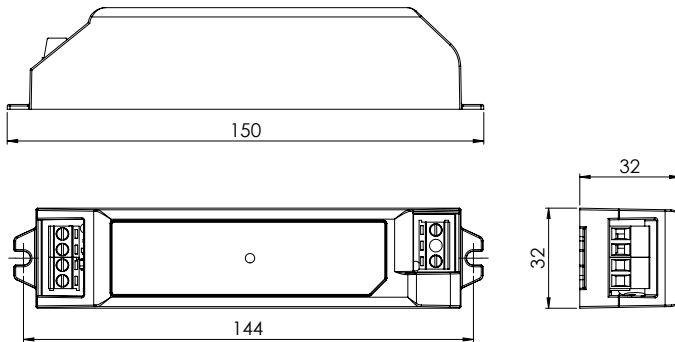
A Style



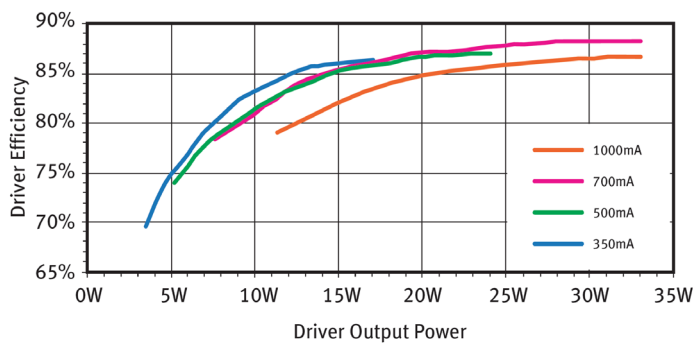
C Style



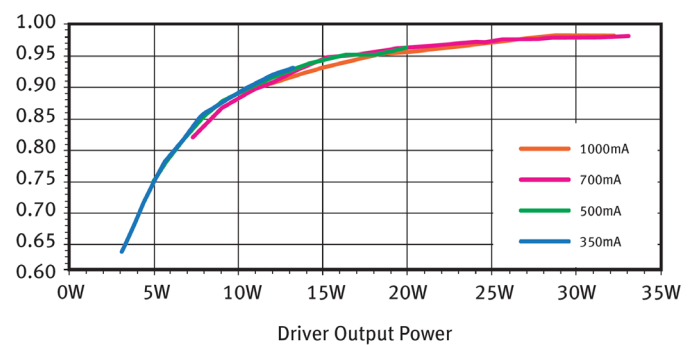
B Style



Efficiency Vs Output Power



Power Factor Vs Output Power



PLEASE NOTE

Information given in this datasheet is for illustration purposes only and subject to change without prior notice. No liability is accepted for printing errors. Reference made to third party approval or certification may be subject to ongoing licence transfers and may not be fully implemented.